



Assembly Guide



T9250, T9350 AND T9450HRT
FOLDING TREADMILLS

Assembly Guide

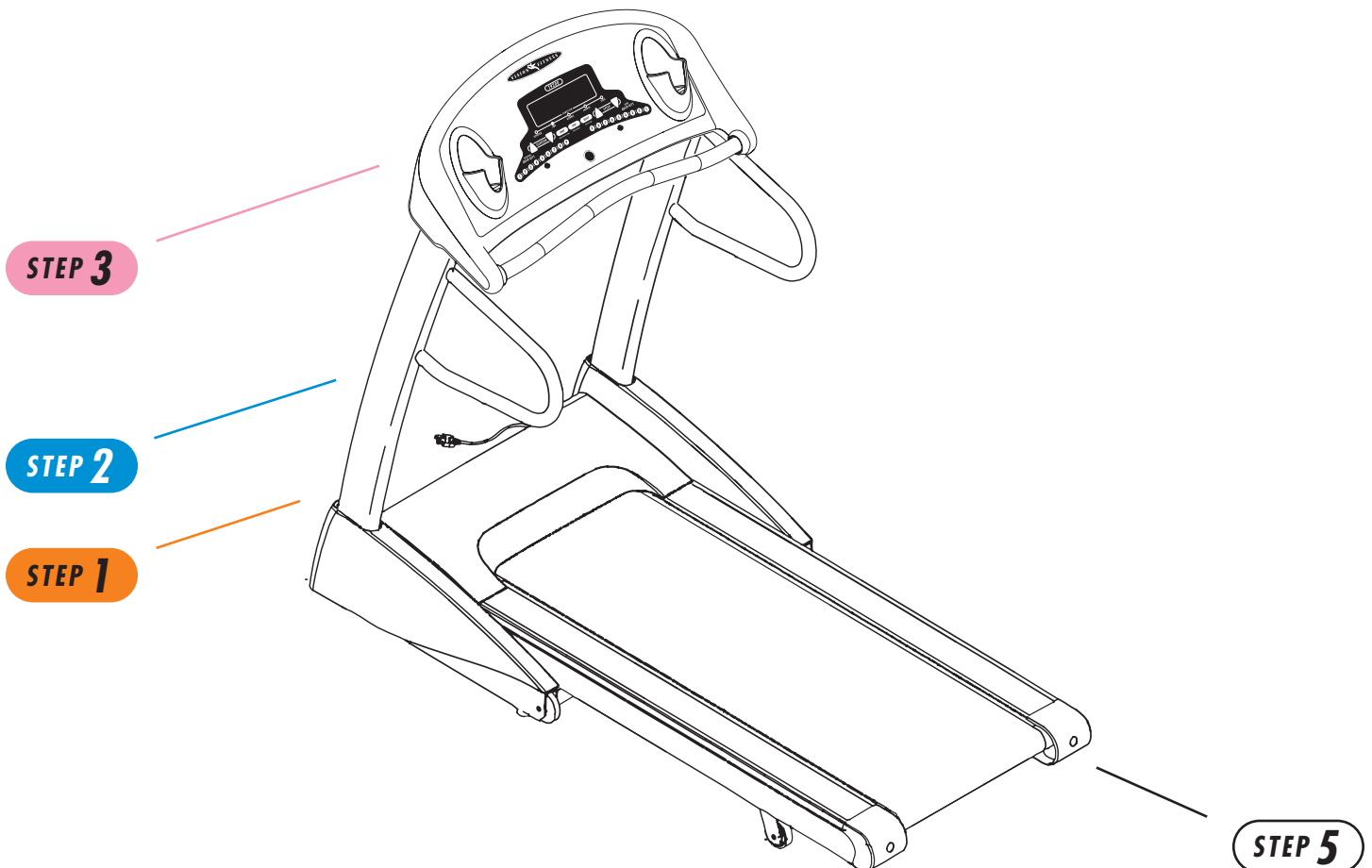
T9250, T9350 AND T450HRT FOLDING TREADMILLS

To avoid possible damage to this Folding Treadmill, please follow these assembly steps in the correct order. Before proceeding though, find your new Folding Treadmill's serial number, located on the underside of the main frame, and enter here:

Refer to this number when calling for service, and also enter this serial number on your Warranty Card and in your own records. Be sure to read your Owner's Guide before using your new Folding Treadmill.

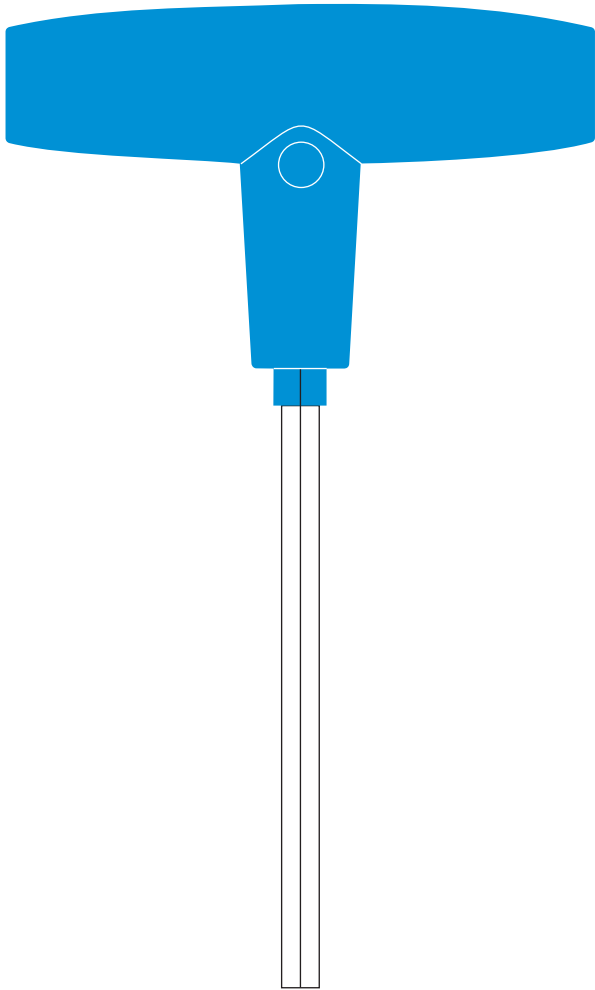
If any parts, hardware or tools are missing, please call 1.800.335.4348, Extension 12

NOTE: It is recommended that you apply grease to the threads of each bolt as you assemble your Folding Treadmill, to prevent loosening and noise. Also, during each assembly step, ensure that ALL nuts and bolts are in place and partially threaded in before completely tightening any ONE bolt.

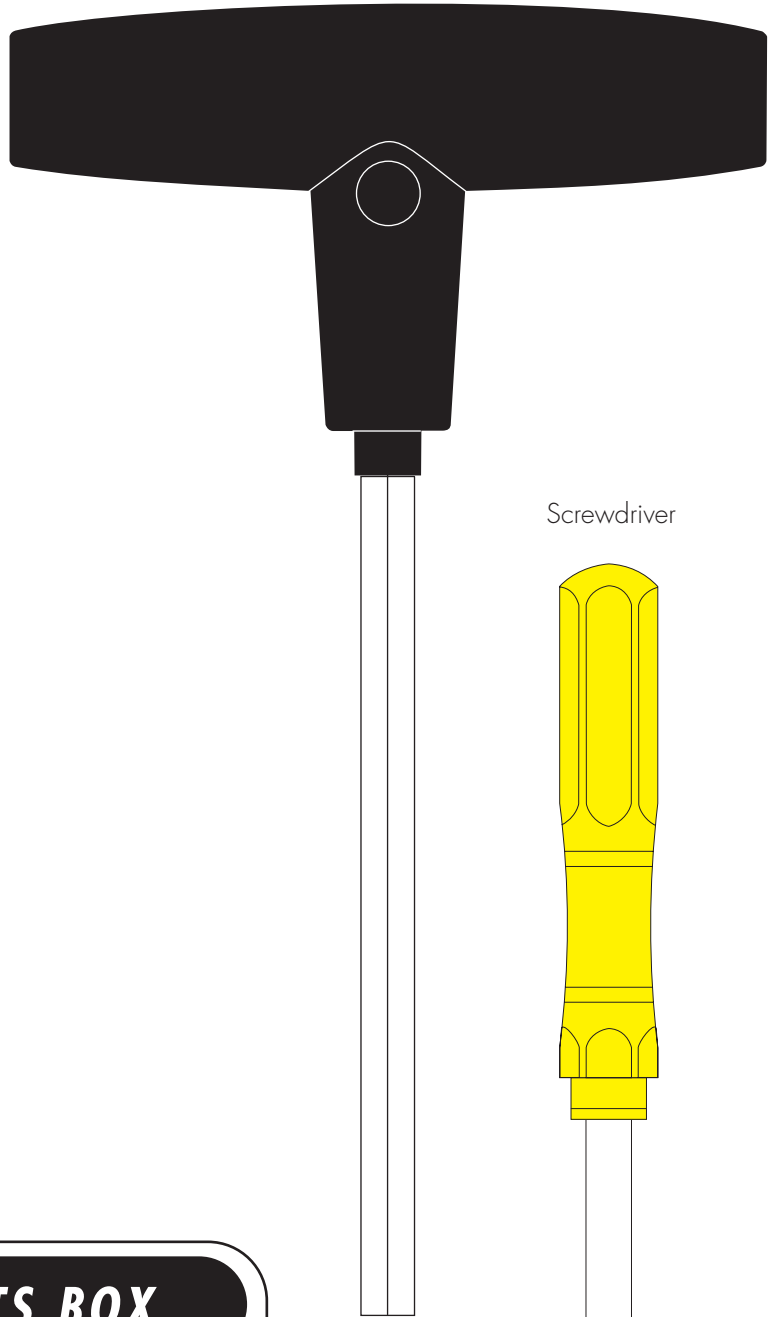


TOOLS & PARTS INCLUDED

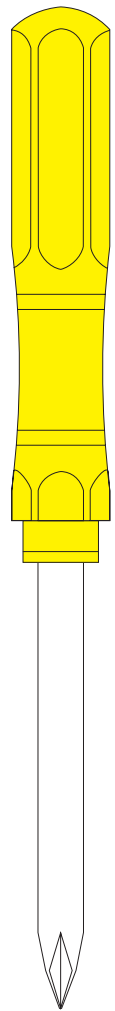
5mm Allen Wrench



8mm Allen Wrench



Screwdriver

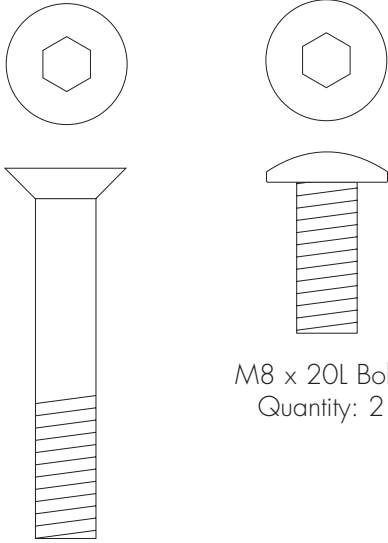


PARTS BOX

Water Bottle, Qty: 1
Heart Rate Chest Strap, Qty: 1
(Except Models T9250 and T9350)
Color-coded Hardware Bags
Owner's Guide
Assembly Guide
Warranty Card

HARDWARE INCLUDED

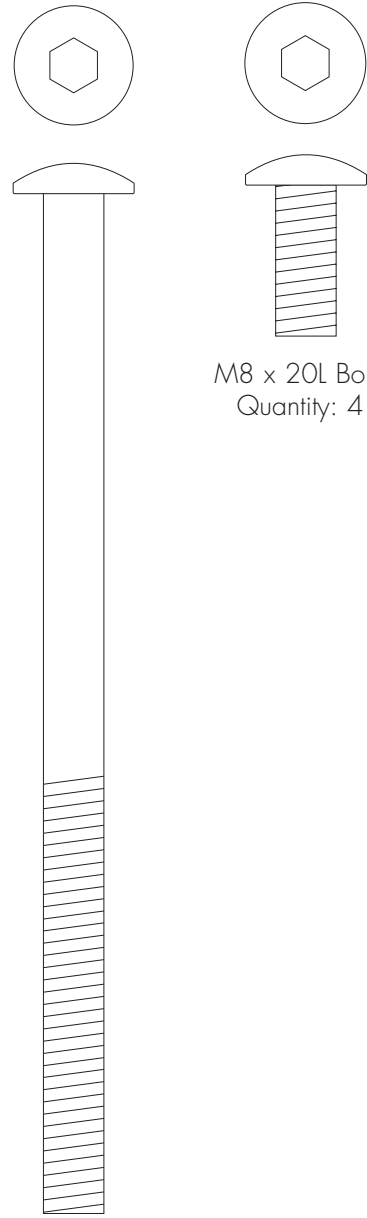
ORANGE BAG



M8 x 50L V-Head Bolts
Quantity: 2

M8 x 20L Bolts
Quantity: 2

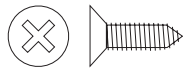
PINK BAG



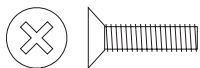
M8 x 135L Bolts
Quantity: 4

M8 x 20L Bolts
Quantity: 4

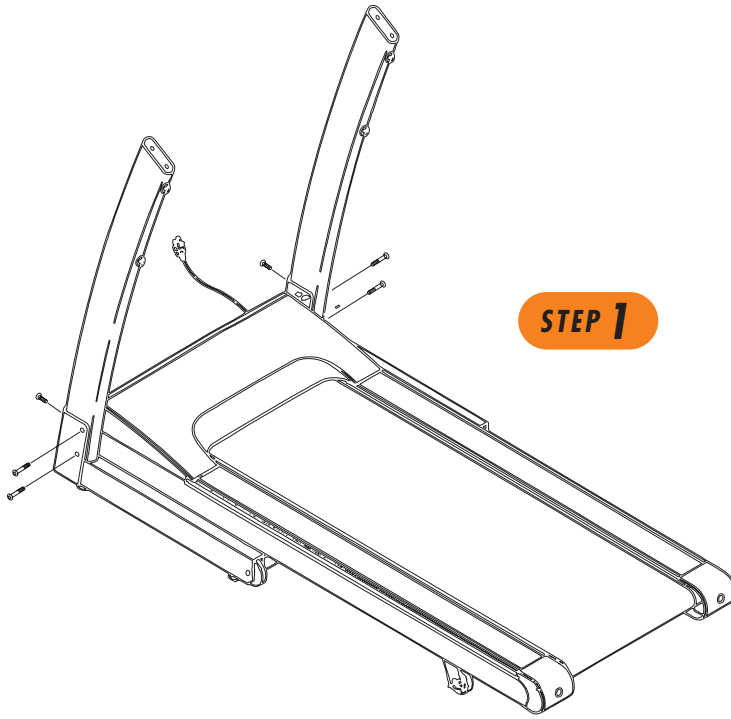
BLUE BAG



M4 x 12L V-head Screw
Quantity: 2



M4 x 12L V-head Flat Screw
Quantity: 4

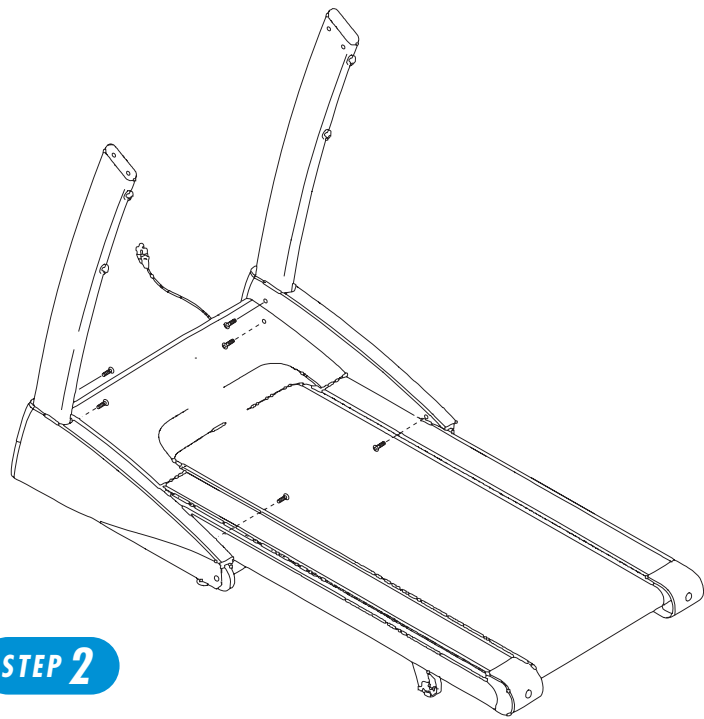


STEP 1

ORANGE BAG

- Fold up the right-hand console mast to the vertical position. Be sure not to pinch the data cables.
- Insert the bolt (M8 x 50L) in the side and tighten with the blue-handled 5mm Allen Wrench.
- Insert one bolt (M8 x 20L) in the front and tighten with the blue-handled 5mm Allen Wrench.
- Repeat this on the opposite side.

NOTE: There are no data cables on the left side.



STEP 2

BLUE BAG

- Slide the base side covers down the left-hand and right-hand console masts.
- Fold the treadmill to the vertical position.
- Secure the right-hand base side cover to the base frame. Use the V-head screw (M4 x 12L) for the rear of the cover and the Flat screws (M4 x 12L) for the front of the cover. Repeat this step on the left-hand side.
- Unfold the treadmill.

STEP 3

PINK BAG

- Mount the right-hand side mount handlebars to the console mast using two bolts (M8 x 135L). Repeat this on the left-hand side.

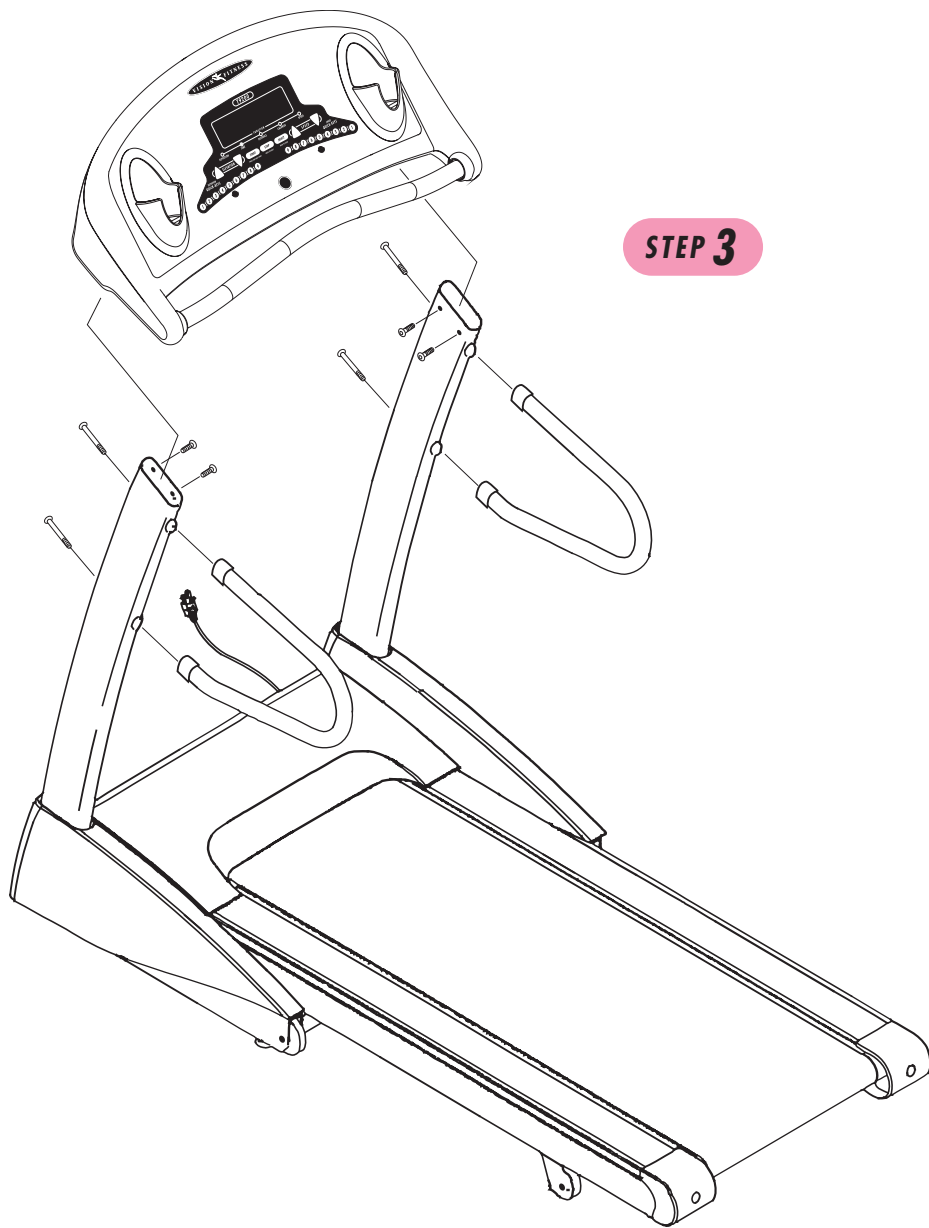
- Plug in the large data cable into the large plug connection in the connection box on the right-hand side of the console.

- Plug in the small data cable into the small plug connection in the connection box on the right-hand side of the console.

NOTE: Push all extra data cable into the console mast. Make sure not to pinch or cut the data cable.

- Mount the console to the console masts using four bolts (M8 x 20L) and tighten with the blue-handled 5mm Allen wrench.

STEP 3



STEP 4**AUTO CALIBRATION**

Once the treadmill is plugged in, you need to perform an Auto Calibration to assure maximum performance.

MODELS T9350 & T9450HRT:

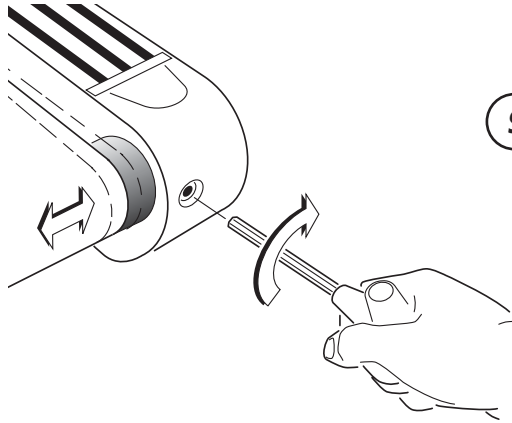
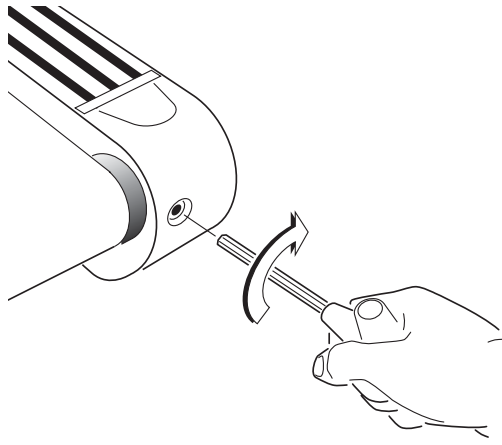
DO NOT STAND ON THE BELT WHEN PERFORMING THE AUTO-CALIBRATION

- You need to access User Engineering Mode to run the Auto Calibration. To access this mode, please hold down SPEED DOWN and SELECT for 5 seconds. When in the User mode, "USER" displays in the center window. To access the data press the ELEVATION keys until "Auto" appears in the center window. Press Start to select this function.
- To begin auto-cal, press START. The treadmill will run through minimum and maximum speed and maximum incline. This will take 3-5 minutes. Let the treadmill perform this complete function before exiting the Engineering Mode.
- Elevation A/D or Elevation in % appears in the left window. PWM value or Speed appears in the right window. "End" will appear in the center window when the auto-calibration is complete. When Auto-Calibration is complete, it will take about 30 seconds to go to 0 elevation and return to the start-up screen with P1 showing in the function window.

MODEL T9250:

DO NOT STAND ON THE BELT WHEN PERFORMING THE AUTO-CALIBRATION

- Hold the Elevation Up and Speed Down buttons for 5 seconds. The console will beep 5 times and a number will appear in the window. Shortly thereafter, EnG1 will appear in the window. Press the Elevation Up or Speed Up to EnG4
- Press Start. The treadmill will calibrate itself. It will take 3-5 minutes. When the Auto Calibration is complete "END" will flash in the window. Wait 10 seconds.
- Remove the Safety Key. Then, put the Safety Key in place to use the treadmill.



STEP 5

STEP 5

BELT TENSION

- If the running belt slips when used, use the supplied 8^{mm} Allen wrench to turn the left and right tension bolts clockwise 1/4-turn at a time until the belt no longer slips.
- If the running belt is too far to the *right* side, use the supplied 8^{mm} Allen wrench to turn the *right* tension bolt clockwise 1/4-turn at a time until the belt remains centered during use. If the running belt is too far to the *left* side, turn the *left* tension bolt clockwise 1/4-turn at a time until the belt remains centered during use.



500 South CP Avenue • P.O. Box 280 • Lake Mills, WI 53551
toll free 1.800.335.4348 • phone 1.920.648.4090 • fax 1.920.648.3373
www.visionfitness.com

©2004 Vision Fitness. All Rights Reserved. 4.04 Part #Z92TM43-AG
AG18.10PRD
REV4