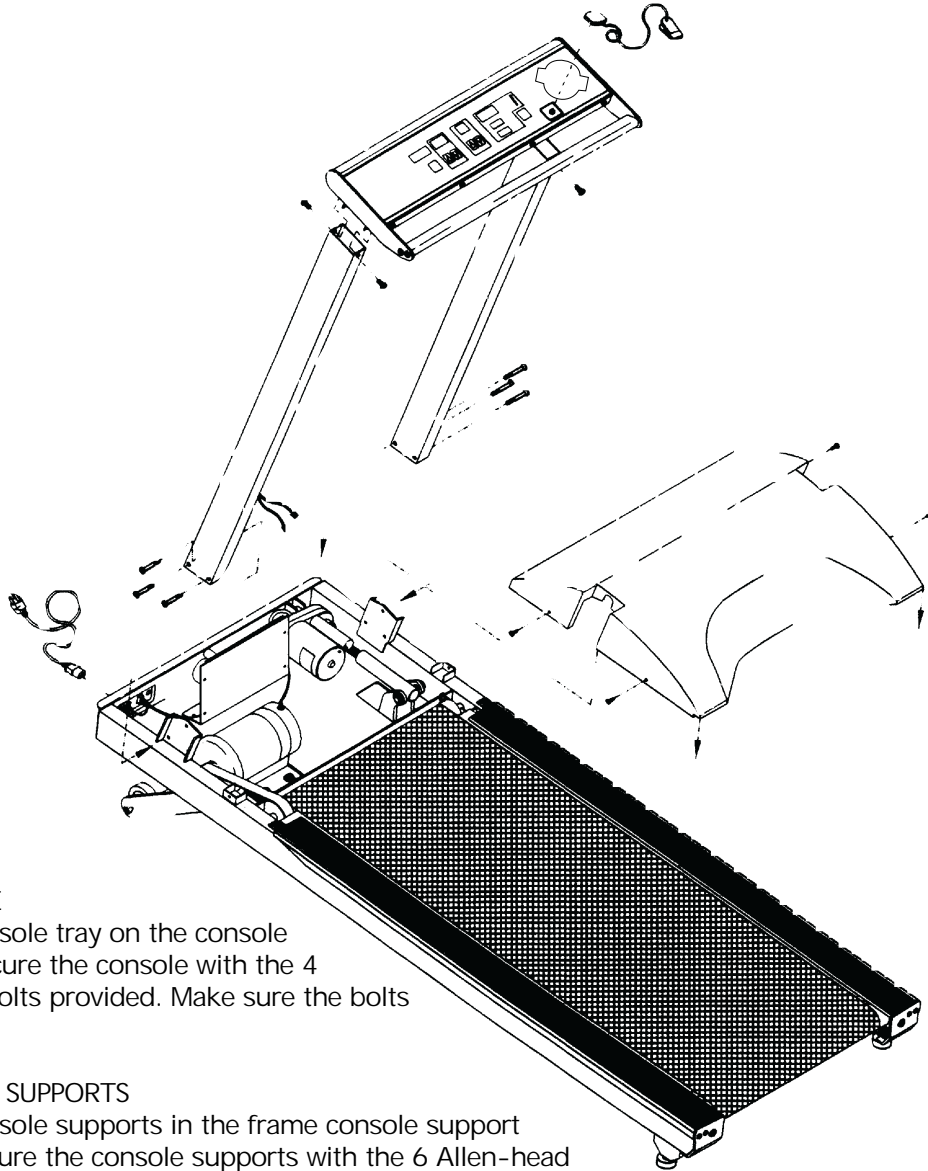


## T7000/T7400 ASSEMBLY INSTRUCTIONS



### 1) ATTACH CONSOLE

Place the console tray on the console supports. Secure the console with the 4 Allen-head bolts provided. Make sure the bolts are tight.

### 2) INSTALL CONSOLE SUPPORTS

Place the console supports in the frame console support brackets. Secure the console supports with the 6 Allen-head bolts provided. Make sure the bolts are tight.

### 3) PLUG IN 2 CONSOLE WIRES

Plug the 2 wire connectors into the connector receptacles on the large circuit board. The connectors are 2 different sizes to assure a correct connection. The larger connector goes into the larger receptacle, the smaller connector goes into the smaller receptacle. Tighten the cable away from the fan with two cable ties (attached).

### 4) ATTACH MOTOR COVER

Place the motor cover over the treadmill front end and secure with the screws provided.